

## Cantilever shelves made with the profiles of the FUS range



Collar for cooling tubes



Heavy pipe on shelf

5

### APPLICATIONS

The FCA shelf allows quick and easy installation of hydraulic pipes, electrical conduits or air channels along the wall.

### ADVANTAGES/BENEFITS

- The fire resistance ratio according to the MLAR/EN13501 guarantees operational safety tested by an independent body.
- The wide range of lengths allows for ideal adaptation to various applications.
- The solid base plate of the shelf provides a secure grip for the supporting structures.
- The slots of the base plate, which are rotated 90 times each other, allow the shelf to be easily aligned.
- The embossed knurling in the profile provides a secure nut hold for high shear load values. E.g. applications with vertical profiles.

### CERTIFICATIONS



### PROPERTY

- Material** :Steel S235 JR (material No 10037) according to DIN EN 10025
- Galvanizing** :Cold galvanizing, min 13 µm

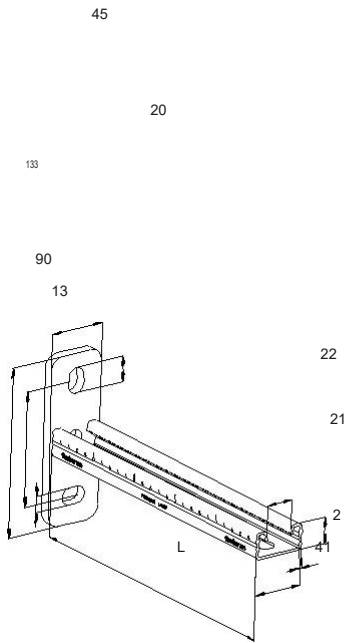
FUS installation

System of

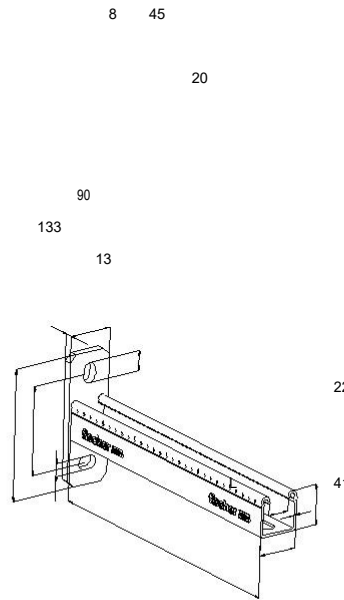
## TECHNICAL DATA

5

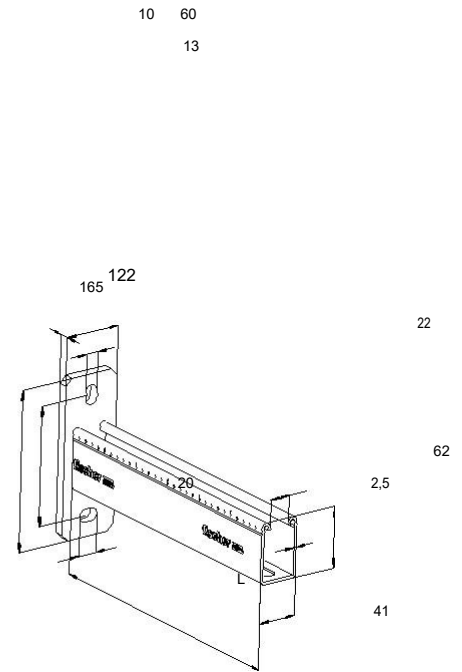
System FUS installation



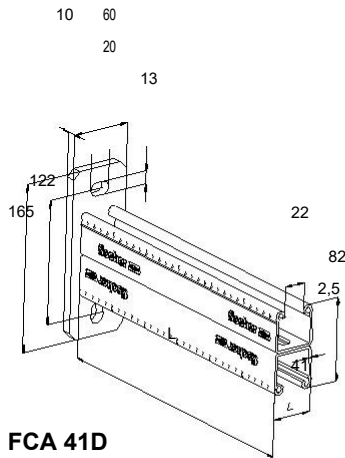
**FCA 21**



**FCA 41**



**FCA 62**



**FCA 41D**

Product	Art. No	Support the Council	Profile	Length		Packaging [pz]
				L [mm]		
FCA 41/21-200	537207	—	21/2,0	200		1
FCA 41/21-300	537208	—	21/2,0	300		1
FCA 41/21-450	537209	—	21/2,0	450		1
FCA 41/41-300	077359	X	41/2,5	300		1
FCA 41/41-450	077361	X	41/2,5	450		1
FCA 41/41-600	077363	X	41/2,5	600		1
FCA 41/41-750	077365	X	41/2,5	750		1
FCA 41/62-1000	504315 1)	X	62/2,5	1000		1
FCA 41/41D-750	504317 1)	—	41D/2,5	750		1
FCA 41/41D-1000	504319 1)	—	41D/2,5	1000		1

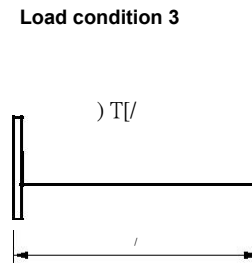
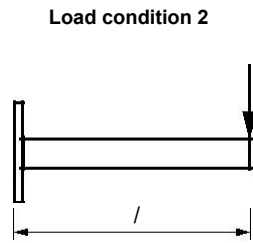
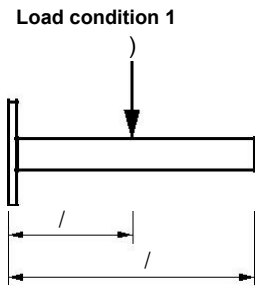
1) Product available on request. Delivery times to be agreed with fischer staff.

## LOADS

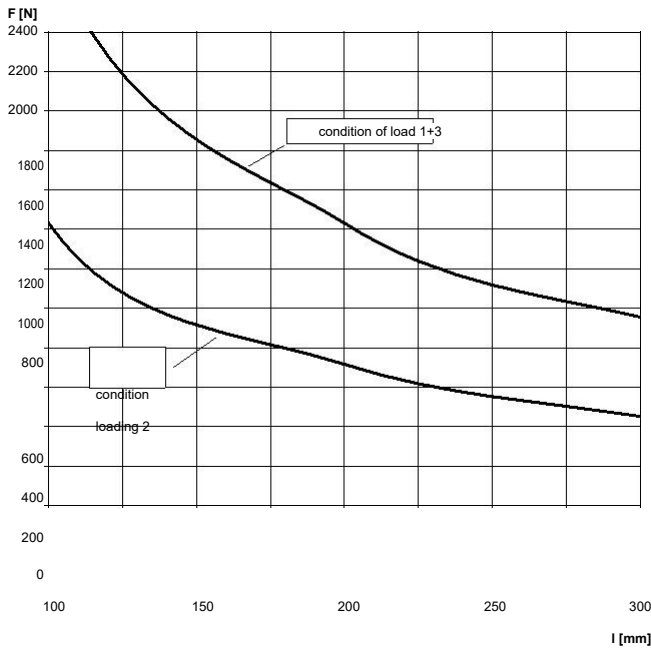
Product	Art. No	Maximum recommended load	Maximum recommended load	Maximum recommended load
		Load condition 1	Load condition 2	Load condition 3
		$F_{racc}$ [kN]	$F_{racc}$ [kN]	$F_{racc}$ [kN]
FCA 41/21-200	537207	1.43	0.72	1.43
FCA 41/21-300	537208	0.95	0.45	0.95
FCA 41/21-450	537209	0.65	0.21	0.65

101  
07  
08  
09  
10  
11  
12  
13  
14

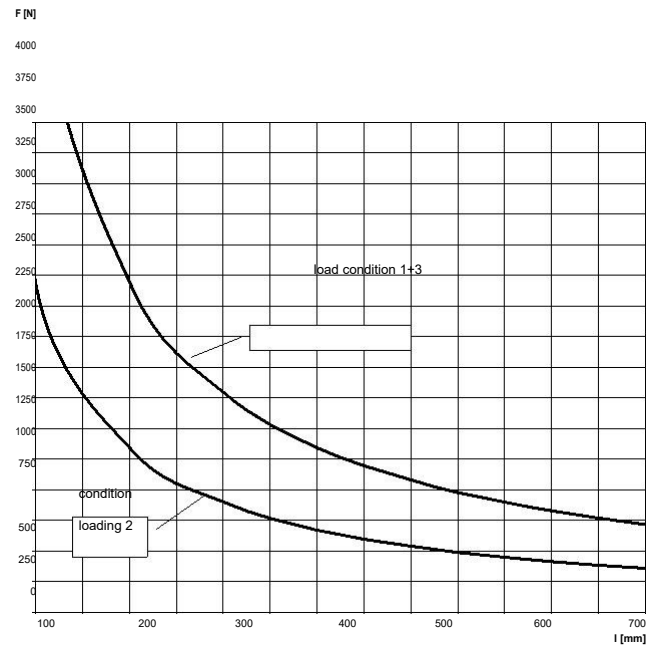
<b>1-300</b>					
<b>FCA 41/41-450</b>	<b>077361</b>	1.20	0.60	1.20	
<b>FCA 41/41-600</b>	<b>077363</b>	0.90	0.45	0.90	
<b>FCA 41/41-750</b>	<b>077365</b>	0.72	0.36	0.72	
<b>FCA 41/62-1000</b>	<b>504315</b>	1.25	0.62	1.25	
<b>FCA 41/41D-750</b>	<b>504317</b>	2.50	1.25	2.50	
<b>FCA 41/41D-1000</b>	<b>504319</b>	1.90	0.93	1.90	



## FCA 21

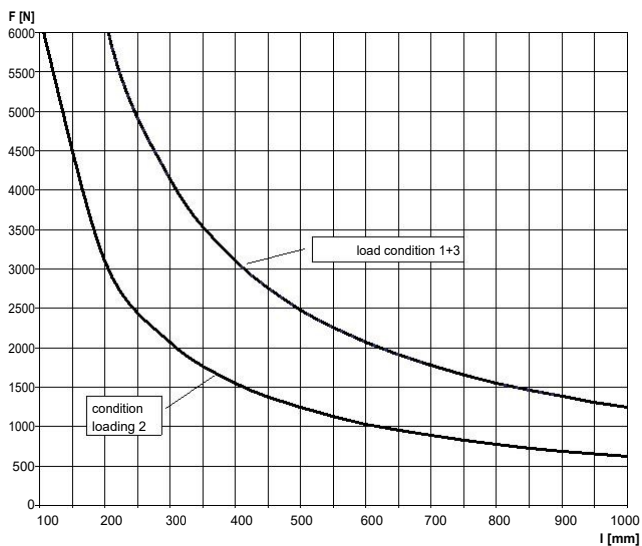


## FCA 41

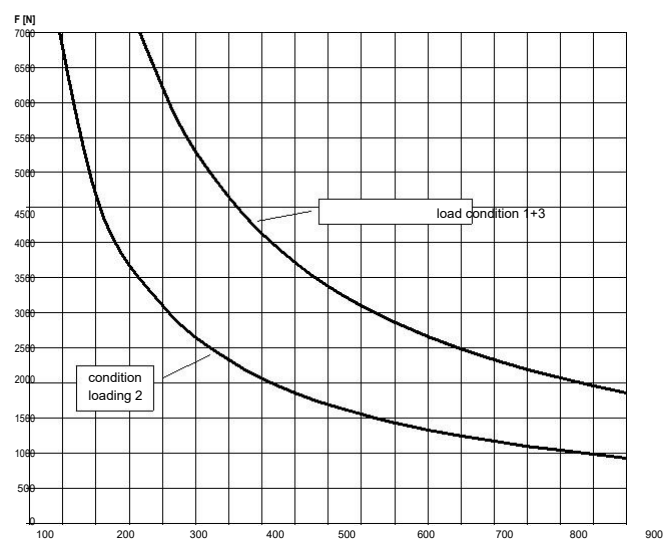


In load curves the permissible deformation of the steel  $\sigma_{adm} = 160 \text{ N/mm}^2$  and the maximum inflection under load  $L/150$  are never exceeded. Connections and fixings must be calculated accordingly.

## FCA 62



## FCA 41D



In load curves the permissible deformation of the steel  $\sigma_{adm} = 160 \text{ N/mm}^2$  and the maximum inflection under load  $L/150$  are never exceeded. Connections and fixings must be calculated accordingly.



## ACCESSORIES



Closing cap for profiles FEC 21 B

Closing cap for profiles FEC 41 B

Closing cap for profile FEC 62 B

Product	Art. No	By profile	Material	Packaging [pz]
FEC 21 B	077357	41/21	polyethylene, black	100
FEC 41 B	077355	41/41	polyethylene, black	100
FEC 62 B	505551	41/62	polyethylene, black	100

## ACCESSORIES



Product	Art. No	By profile	Length	Packaging [pz]
EMS 41	550806	all FUS profiles	6	1

## Suggested products:

FUS system	Code	Asola/Foro	Compatible dowels recommended*				
			SX 10x50 BM	FBS 8	FBS 10	FAZ II M8	FAZ II M10
Profile FUS 41	various	14x23	✓	✓	✓ with compass 22mm	✓	✓ with compass 22mm
Shelf FCA	various	13x20	✓	✓	✓	✓	✓
<b>Accessories for quick coupling connections</b>							
Rosette PU 10,5	535271	10,5	✓	✓	✗	✓	✗
Rosette PU 12,5	535272	12,5	✓	✓	✓	✓	✓
PSF and PVB	various	12,5x20	✓	✓	✓	✓	✓
<b>Accessories for standard connections</b>							
Bracket SF L	various	13x20	✓	✓	✓	✓	✓
VB	04850	13x20	✓	✓	✓	✓	✓
FAF	various	13	✓	✓	✓	✓	✓
WK 200	63559	12,5x18	✓	✓	✓	✓	✓
WK 100	79570	13x22	✓	✓	✓	✓	✓
Staffa VA	530679	10,5	✓	✓	✗	✓	✗
FPPK	48666	13x58	✓	✓	✓	✓	✓

\* When choosing the correct dowel, consideration must always be given to the loads applied, the thicknesses to be fixed and the support material, the support material and the boundary conditions.



SX BM

FBS

FAZ II

Go to [www.fischeritalia.it](http://www.fischeritalia.it)